

LX 250

nafm

Shrink Sleeve Labeling & Tamper Evident Banding

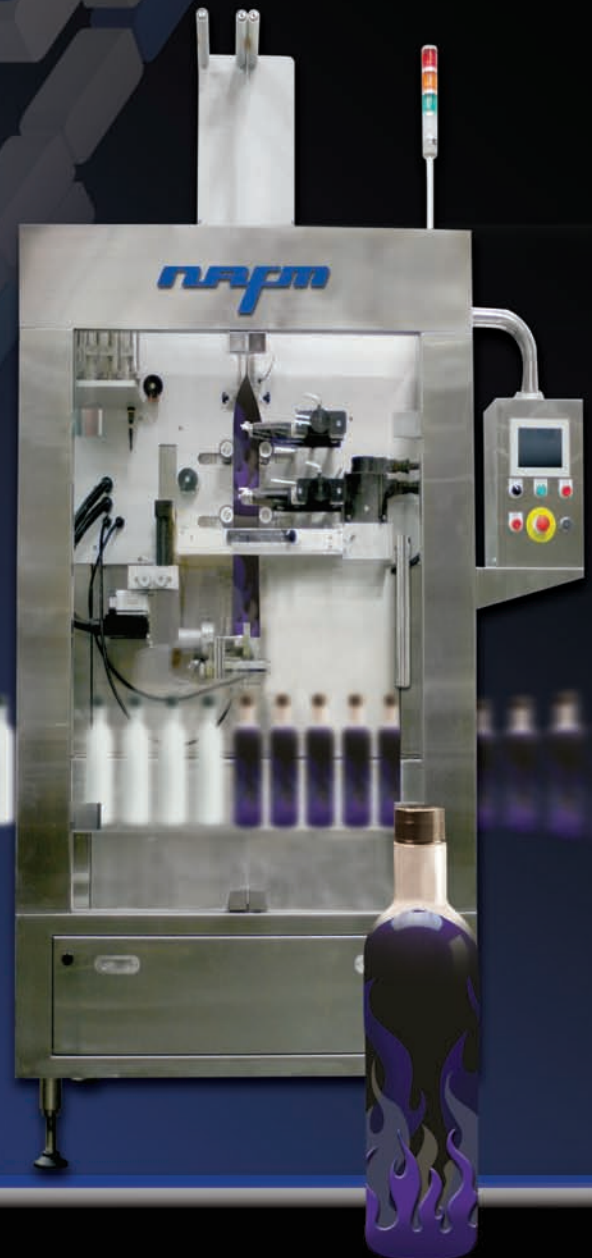
Affordable Performance

STANDARD COMPONENTS

- Multiple dancer in feed tension control
- Fin-and-bullet mandrel for cylindrical containers
- Photo-eye sensor for registered cutting
- Interchangeable cutting assembly in one of S/M/L sizes
- Timing screw (single) assembly with VFD controlled from HMI
- Line control photo sensos
- Brush-down assembly
- Innovative servo mechanism, PLC and HMI
- Dual-roll label feeding unwinder
- Motorized head height adjustment
- Diagnostic Software = easy troubleshooting

OPTIONAL FEATURES

- Mandrel for non-cylindrical containers
- Label twister for orientation
- Vertical, continuous perforation unit
- Horizontal and T-perf unit
- Date-coder, hot stamp models
- Dual timing screw assembly
- Label stopper, cradle belt design
- Label tamping assembly
- AB or Siemens servo, PLC, electric components and HMI
- Accumulation Unwinder System



**Engineered To Do More
Priced For A Lot Less**

www.nafm.com

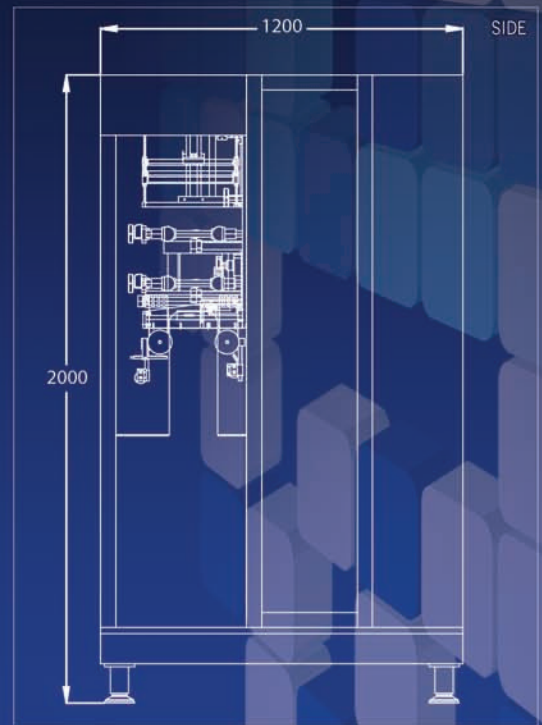
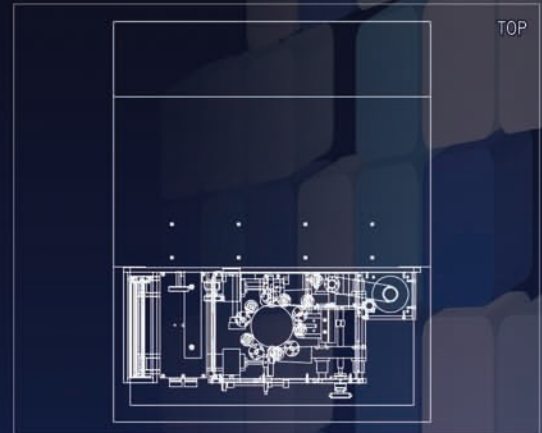
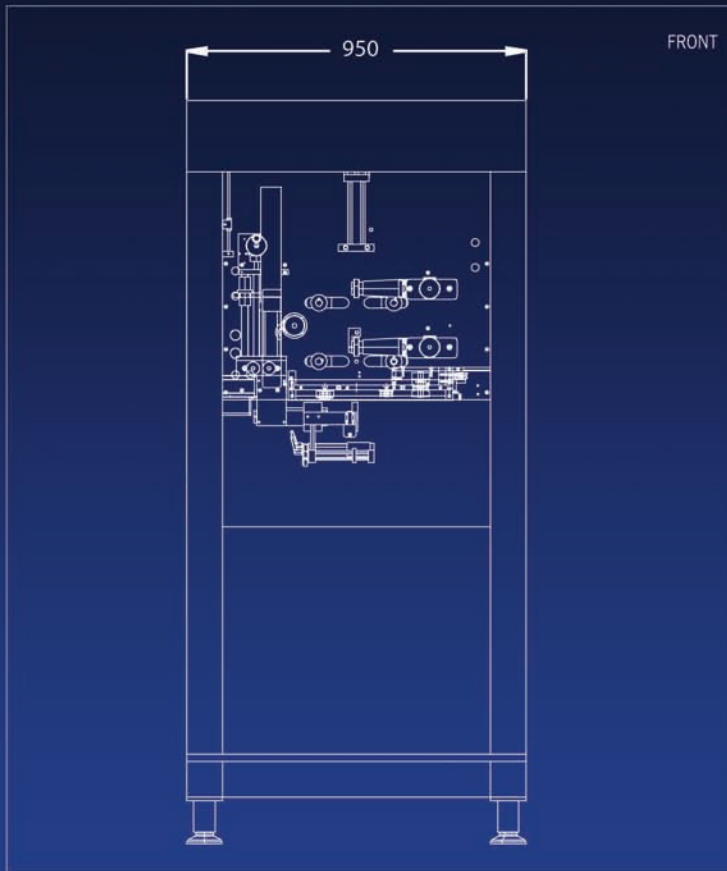
Servo-driven, PLC controlled and operated with simple HMI input.
The highly standardized design allows quick start and easy maintenance.

LX 250

Shrink Sleeve Labeling & Tamper Evident Banding



Capable of speeds up to 400 CPM this label and tamper band machine is built with solid engineered design and has the latest advanced servo drive, PLC and HMI components. The LX 250 features motor driven head height adjustment.



NAFM, LLC

p: 714-974-9006

e: info@nafm.com

www.nafm.com



Join our community

OAL
Radiant Heat Tunnels

UNIQSEAL
Tamper Evident Tubing & Overwrap

CORONA
CONTRACT LABELING & PACKAGING