

WSN 300

Steam Heat Shrink Tunnel



Optimum shrink control and consistent appearance
for your PET, PVC, or OPS shrink labels

Engineered for 24hour reliability

Multi-zoned for control and versatility

Operator side adjustments

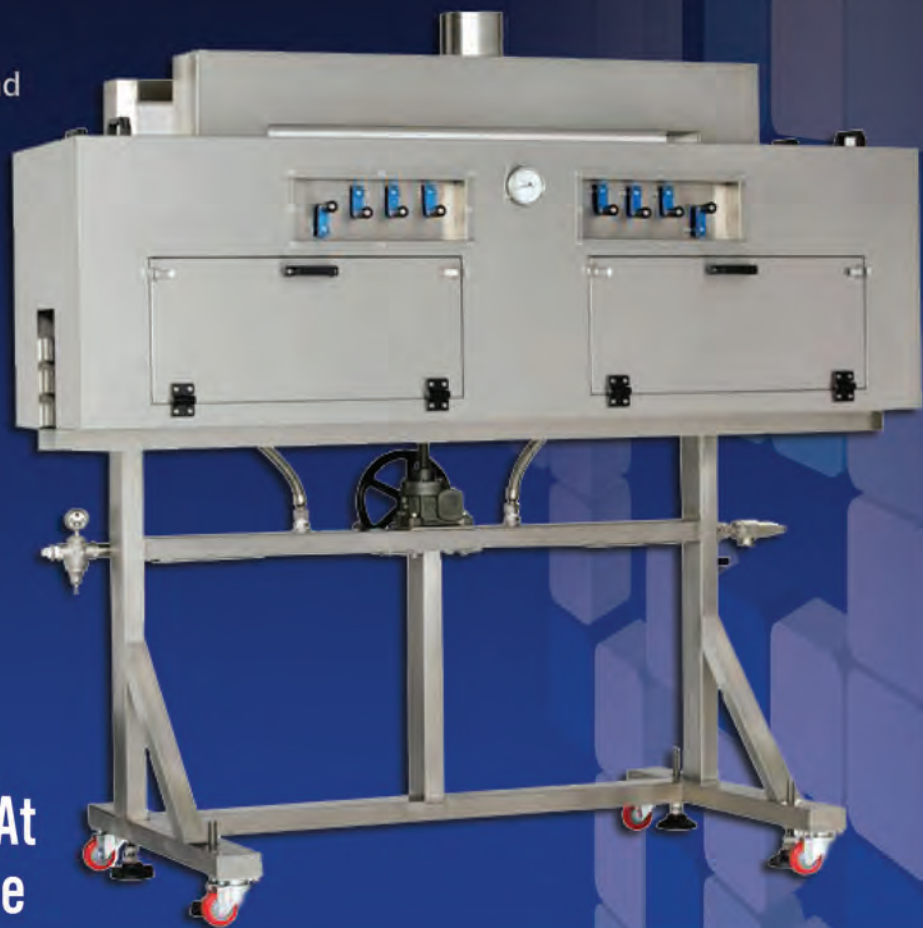
Easy installation

Low maintenance

Standard base support stand

Manual height adjustment

Requires steam generator



Solid Engineering At
An Affordable Price



NAFM, LLC

p: 714-974-9006

e: info@nafm.com

www.nafm.com



Join our community

OAL
Radiant Heat Tunnels

UNISEAL
Tamper Evident Tubing & Overwrap

CORONA
CONTRACT LABELING & PACKAGING

WSN 300

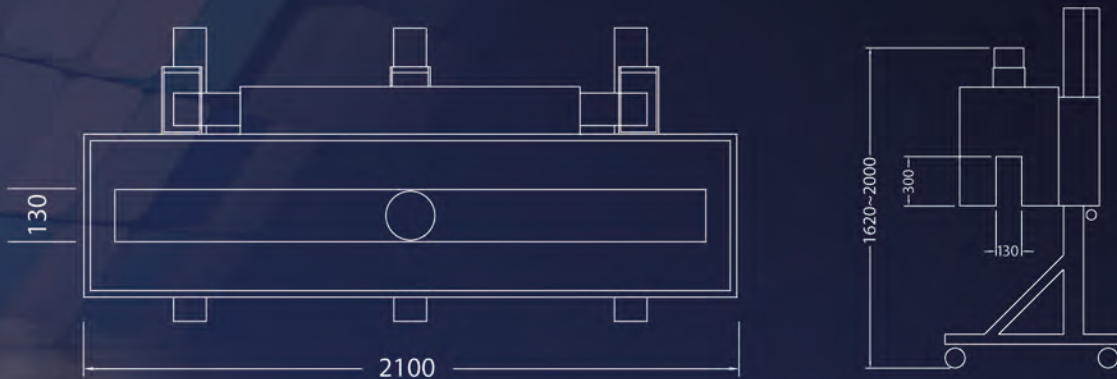
Steam Heat Shrink Tunnel



Technical Specifications

Zones	Two zones each with 3 Tiers
Machine Dimension	2000mm (W) X 900mm (H) X 2100mm (L) 79"L x 35.5"W x 83"H
Tunnel Dimension	2000mm X 130mm X 300mm 79"L x 5"W x 12"H
Steam/Pressure	50 gal/min, 80psi
Temperature	212°F

Top View



*Technical drawings not guaranteed to scale.



**Engineered To Do More
Priced For A Lot Less**

www.nafm.com

Designed and manufactured to reliability take on the most difficult shrink labeling operations.